

iDS-MCD402-ES 4G Dual-lens ANPR Portable Speed Dome Kit



- Support for dual cameras, Lens1: 1/1.8" progressive scan CMOS; Lens2: 1/1.8" CMOS
- 36× optical zoom, 12× digital zoom
- 3D DNR/Defog/EIS
- Up to 100 m IR distance
- Quick installation with the magnetic base and the tripod bracket
- Replaceable battery for sustainable work
- 360° endless pan and -20° to 90° (auto-flip) tilt movement range for PTZ
- Embedded screen for status display, e.g. battery, GPS, 3G/4G, record status, storage capacity, Bluetooth, platform access, Wi-Fi, and smart algorithm mode
- Supports accessing via IE browser and client, and remote operation

▪ Specification

Camera	
Image Sensor	Lens 1: 1/1.8" progressive scan CMOS Lens 2: 1/1.8" progressive scan CMOS
Zoom	36× Optical, 12× Digital
Max. Resolution	3840 × 2160
Min. Illumination	Lens 1: chromatic: 0.005 Lux @ (F1.3, AGC ON); monochrome: 0.0005 Lux @ (F1.3, AGC ON) Lens 2: chromatic : 0.02 Lux @ (F1.7, AGC ON); monochrome: 0.02 Lux @ (F1.7, AGC ON)
Day & Night	Switch IR Cut Filter Automatically
Optical Image Stabilization	Supported
Lens	
Focal Length	Lens 1: 6 to 216 mm Lens 2: 2.8 mm fixed lens
Aperture	Lens 1: F1.3 - F4.6 Lens 2: F1.7
FOV	Lens 1: Horizontal FOV: 59° to 2.0°, Vertical FOV: 34.2° to 1.1°, Diagonal FOV: 67.1° to 2.3° Lens 2: Horizontal FOV: 102°, Vertical FOV: 56°, Diagonal FOV: 123°
Zoom Speed	Approx. 4.6 s (optical lens, wide-tele)
Event	
Smart Event	Vehicle recognition, face recognition, helmet detection, phone call, work wear detection, smoking detection, area invasion, intrusion detection (supports 4 areas)
License Plate Recognition	Supported
Video	
Video Compression	H.264, H.265, MJPEG
Video Format	PS
Main Stream	Lens 1: 60 Hz: 30 fps (2688 × 1520, 1920 × 1080, 1280 × 720, 720 × 576) Lens 2: 60 Hz; 30 fps (3840 × 2160, 3072 × 1728, 704 × 240, 352 × 240)
Sub Stream	Lens 1: 60 Hz: 12fps (1920 × 1080); 30 fps (1280 × 720, 704 × 480, 704 × 240, 352 × 240) Lens 2: 60 Hz; 30 fps (1280 × 720, 704 × 240, 352 × 240)
Audio	
Audio Compression	G.711ulaw, G.711alaw, G.722.1
Audio Bit Rate	64 Kbps (G.711ulaw/G.711alaw), 16 Kbps (G.722.1)
Image	
Wide Dynamic Range (WDR)	120 dB
Image Enhancement	3D DNR, Defog, EIS
Image Format	JPEG
Screen	
Screen Type	LCD
Touchscreen	Supported
Screen Size	2.0"
Resolution	320 × 240

Storage	
RAM	2 GB
ROM	4 GB
IR	
IR Range	Up to 100 m
IR Wavelength	850 nm
Wireless Network	
Positioning Mode	GPS
Wi-Fi Frequency Band	2.412 to 2.472 GHz, 5.15 to 5.25 GHz, 5.725 to 5.875 GHz
Bluetooth	BT 4.0
Cellular Network	Available for models with '/GLE': GSM: 850/900/1800 WCDMA: B1/B5/B8 FDD-LTE: B1/B3/B5/B7/B8/B20 TDD-LTE: B38/B40/B41
Wi-Fi Protocol	802.11 a/b/g/n/ac
Network	
Protocol	HTTPS, RTSP, NTP, FTP
API	ONVIF (PROFILE S, PROFILE G, PROFILE T), ISAPI, SDK, ISUP
Interface	
Indicator	1 status indicator: charging/power on/power off
Button	Power on/off
SIM Card	Available for models with '/GLE': 1 (Micro-SIM)
Ethernet	1 RJ45 10M/100M/1000M self-adaptive Ethernet port(s)
Aviation Plug	10-Core Aviation Plug: supporting RS-232, RJ45 and power input 9-Core Aviation Plug: supporting RS-485, LINE IN/LINE OUT, 5 V output, Alarm I/O
Extended Storage	Built-in 2 memory card slots, supporting TF card, up to 256 GB for each
PTZ	
Preset	256 arming locations
Movement Range (Pan)	360° endless
Movement Range (Tilt)	-20° to 90° (Auto-flip)
Patrol Scan	8 Patrols
General	
Operating Condition	-20 °C to 60 °C (-4 °F to 140 °F). Humidity 95% or less (non-condensing)
Operating System	Linux
Storage Condition	-30 °C to 70 °C (-22 °F to 158 °F). Humidity 95% or less (non-condensing)
Light Sensor	Supported
MIC	Supported
Speaker	2 Built-in speakers, Max. power consumption: 2.5 W, Max. sound pressure level: 102 dB (10 cm)
Web Browser	Plug-in required live view: IE 10+
Dimension	Kit: 500 mm × 395 mm × 257 mm (19.7" × 15.6" × 10.1")
Weight	11.75 kg (25.9 lb.)
Power	12 VDC, 5.0 A, max. 60 W
Installation Method	Wall-Mounted, Tripod-Mounted, Movable Bracket
Client	Hik-Connect, HikCentral Pro, HikCentral Master

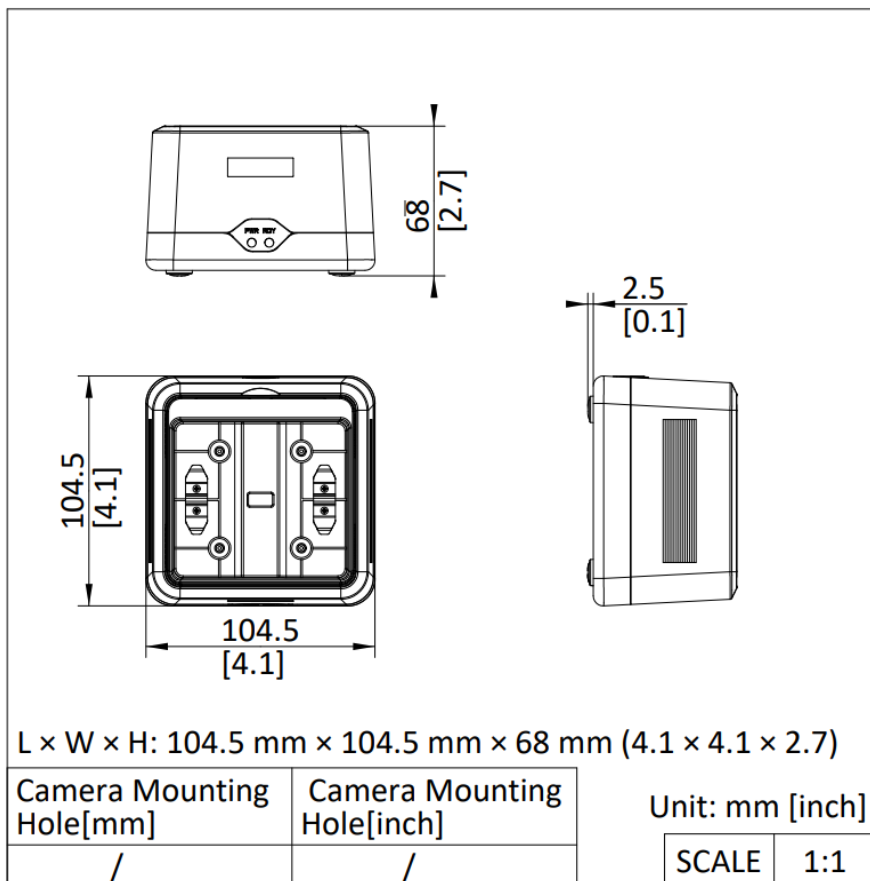
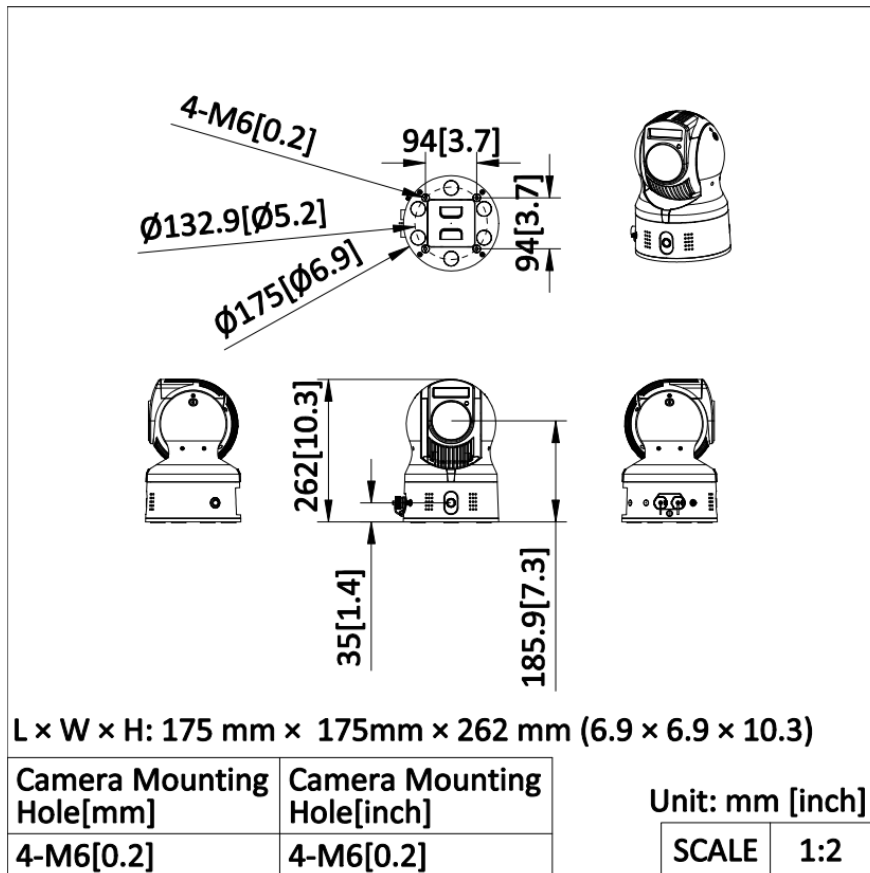
Packing List	1 × AC power cord 1 × 345 cm Composite cable 1 × Lithium-ion battery 1 × Mounting support plate for tripod 1 × Safety rope 1 × C92-screwdriver 1 × 500 × 395 × 257 mm portable plastic box 1 × Battery Charger DS-MH1491 1 × tripod DS-MH1697
Battery	
Battery Type	Lithium-ion battery, dismountable
Capacity	13400 mAh
Charging Time	≤ 4 h
Battery Life	Up to 9h in 4MP resolution ¹
Approval	
RF	CE-RED: EN 301 489-1 V2.2.3: 2019; EN 301 489-3 V2.2.2: 2019; EN 301 489-17 V3.2.4: 2020; EN 301 489-19 V2.2.1: 2022; EN 301 489-52 V1.2.1: 2021; EN 55032: 2015/A11: 2020; EN 55035: 2017/A11: 2020; EN 50130-4: 2011/A1: 2014; EN IEC 61000-3-2: 2019/A1: 2021; EN 61000-3-3: 2013/A2: 2021; EN 300 328 V2.2.2: 2019; EN 301 893 V2.1.1.1: 2017; EN 301 440 V2.1.1: 2017; EN 301 908-1 V15.1.1: 2021; EN 301 908-2 V13.1.1: 2020; EN 301 908-13 V13.2.1: 2022; EN 303 413 V1.2.1: 2021; EN 62479: 2010; EN 50663: 2017; EN 50385: 2017; EN IEC 62311: 2020; EN 62311: 2008; EN 62368-1: 2014/A11: 2017
EMC	CE-EMC: EN 55032: 2015/A11: 2020; EN 55035: 2017/A11: 2020; EN 50130-4: 2011/A1: 2014; EN IEC 61000-3-2: 2019/A1: 2021; EN 61000-3-3: 2013/A2: 2021
Safety	CB: IEC 62368-1: 2018 CE-LVD: EN 62368-1: 2014/A11: 2017
Environment	CE-RoHS: 2011/65/EU
Protection	IP66

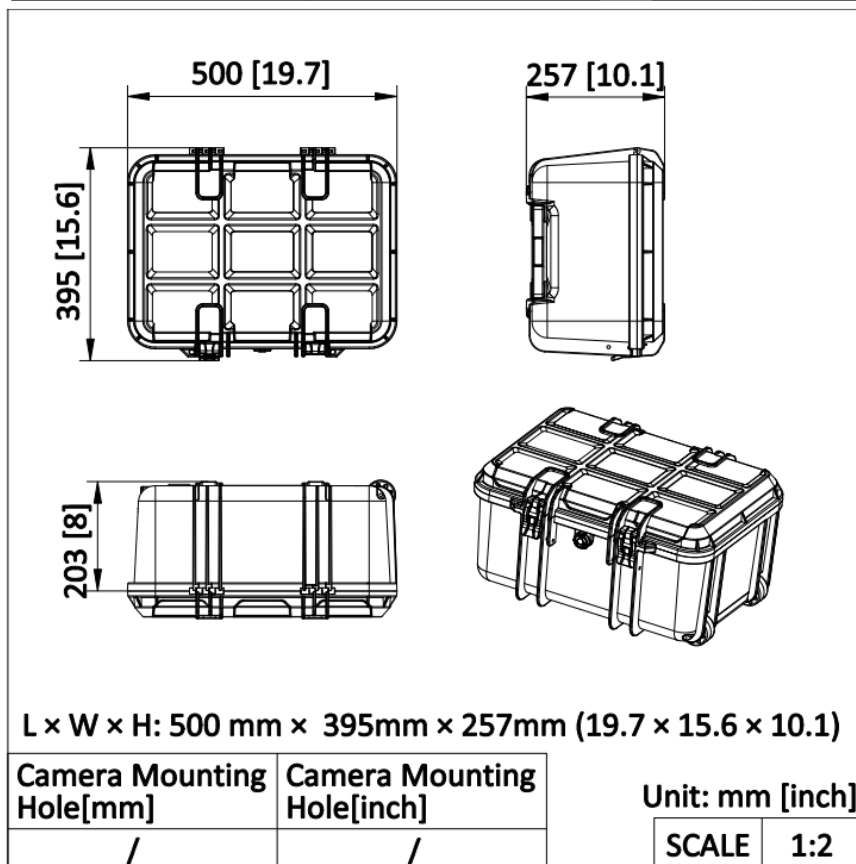
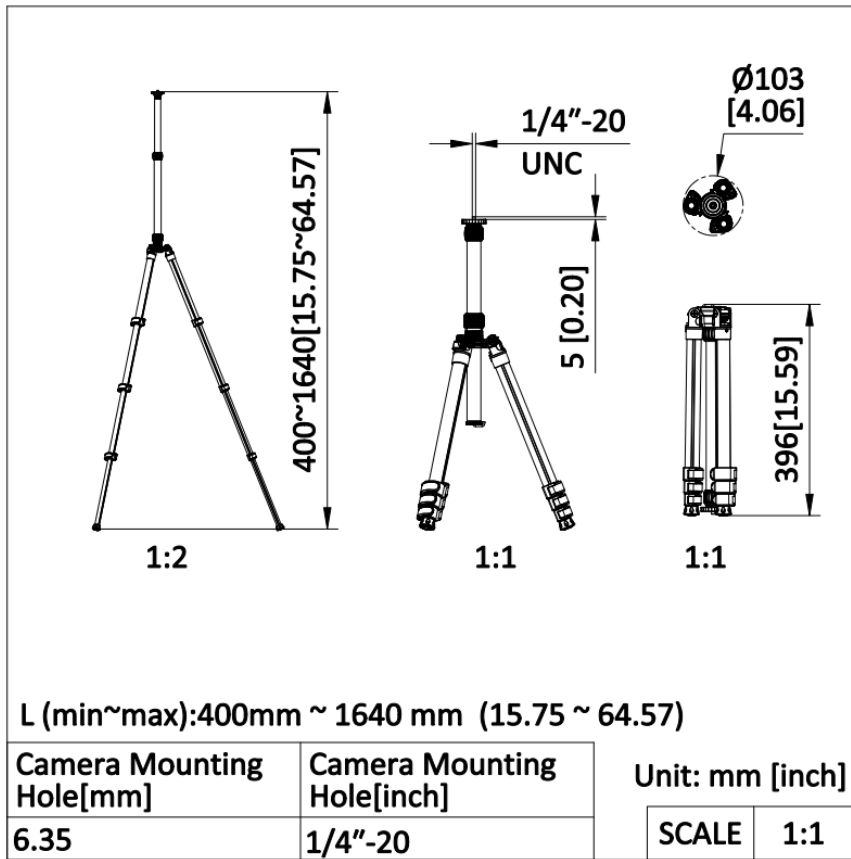
This is a basic estimation of battery working life only when recording is on. Additional power consumption should be considered when IR, GPS, and/or network connection is on.

▪ Available Model




iDS-MCD402-ES/36X/1/GLE

▪ Dimension








▪ **Accessory**
▪ **Included**

DS-MH1491 Portable PTZ Dome Battery Charger	DS-MH1391 Portable PTZ Dome Battery	DS-MH1697-H Portable PTZ Dome Tripod
		

▪ **Optional**

DS-MH1491 Portable PTZ Dome Battery Charger	DS-MH1695I-H Portable PTZ Dome Tripod	DS-MH1697-H Portable PTZ Dome Tripod
		

Headquarters

No.555 Qianmo Road, Binjiang District,
Hangzhou 310051, China
T +86-571-8807-5998
www.hikvision.com



Follow us on social media to get the latest product and solution information.

